

Product information presented here reflects conditions at time of publication. Consult factory regarding discrepancies or inconsistencies.



MAIL TO: P.O. BOX 16347 • Louisville, KY 40256-0347
SHIPTO: 3649 Cane Run Road • Louisville, KY 40211-1961
TEL: (502) 778-2731 • 1 (800) 928-PUMP • FAX: (502) 774-3624

Visit our web site:
zoellerpumps.com

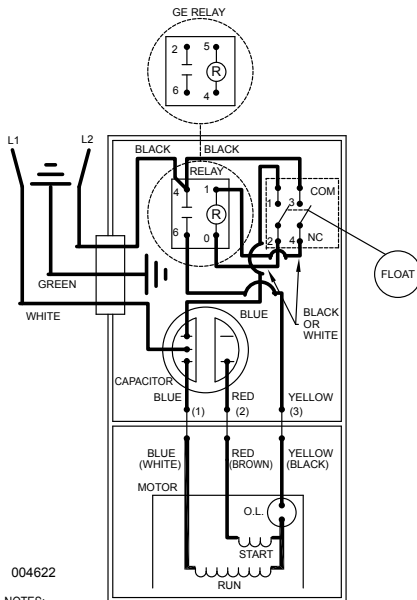
REPLACEMENT PARTS LIST FOR MODELS: H294 AUTOMATIC 200V/1PH I294 NONAUTOMATIC 200V/1PH J294 NONAUTOMATIC 200V/3PH F294 NONAUTOMATIC 230V/3PH G294 NONAUTOMATIC 460V/3PH BA294 NONAUTOMATIC 575V/3PH

Consult factory for all other models.

TO ORDER REPLACEMENT PARTS:

PLEASE FURNISH THE FOLLOWING INFORMATION:

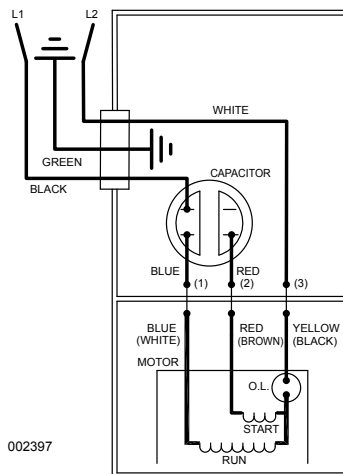
- Model number
- Part number of pump
(If manufactured prior to June 1988, give 2 letter date code following Model No.)
- Part number and description of part



004622

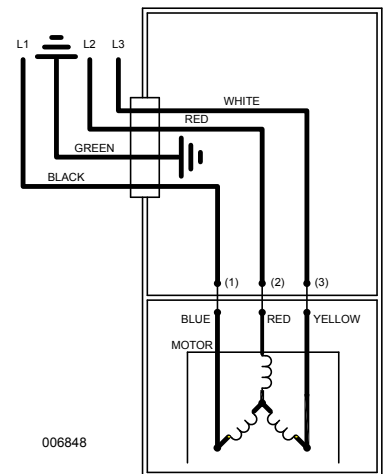
NOTES:
INSULATORS REQUIRED ON GE RELAY TERMINALS 2 & 5;
OMRON RELAY TERMINALS 1 & 4.

WIRING DIAGRAM FOR MODELS
"H294" All Revisions
9/87 (VT) thru Current



002397

WIRING DIAGRAM FOR MODELS
"I294" All Revisions
1/88 (MU) thru Current



006848

WIRING DIAGRAM FOR MODELS
"J294" All Revisions, 9/86 (VS) thru Current
"F294" All Revisions, 6/87 (ST) thru Current
"G294" All Revisions, 6/87 (ST) thru Current
"BA294" All Revisions 1/91 thru Current

REPLACEMENT PARTS LIST FOR MODELS "H294"

See page 7 for "H294" illustration.

REF. NO.	DESCRIPTION	QTY	NOTES	MODELS: H294-A						
				H294-B	H294-C	H294-D	H294-E	H294-F	H294-G	
				9/87 VT thru 7/90	8/90 thru 10/01	11/01 thru 4/03	5/03 thru 5/08	6/08 thru 1/16	2/16 thru 5/16	6/16 thru Current
1	Case, Sw.& Cord	1	3,4	005383	005125	005125	014156	014156	014156	014156
2	• Guard	1		001023	001023	001023	001023	001023	001023	001023
3	Case-Mach	1	3,4	004614	004633	004633	014154	014154	014154	014154
4	• Arm & Seal Asm	1	4	004745	004745	004745	004745	004745	004745	004745
5	• Gasket, Case/Cover	1		001011	001011	001011	001011	001011	001011	001011
6	Switch Asm	1	4	004744	004744	004744	004744	004744	004744	004744
7	• Wire Pkg (5) Wires	1		004751	004751	004751	004751	004751	004751	004751
8	Relay	1	2	297005	217093	217093	217093	217093	153833	153833
9	Capacitor & Clamp Asm	1		006135	006135	006135	006135	006135	006135	006135
10	Float, Plastic	1		094039	094039	094039	094039	094039	094039	094039
11	Guide Asm, Flt Rod	1		001072	001072	001072	001072	001072	001072	001072
12	Rod Asm, Flt	1		001043	001043	001043	001043	001043	001043	001043
13	Housing, Mtr-& Str	1	1	005204	005204	005204	005204	019234	019234	019234
14	Bearing, Sleeve	1		001012	001012	001012	001012	NA	NA	NA
	Bearing, Radial		NA	NA	NA	NA	006703	006703	006703	
15	• Handle	1		217069	217069	217069	217069	217069	217069	217069
16	Cord, Term & Seal Asm	1	3	005384	005126	005126	014172	014172	014172	014172
17	Clamp, Strain Relief	1	3	001770	N/A	N/A	013764	013764	013764	013764
18	• Seal, Cord-Asm & Strain Relief	1	3	094032	004375	004375	015634	015634	015634	015634
19	• Plug, Test-White	2		034090	034090	034090	034090	034090	034090	034090
20	• Seal, Thru Wall Term	3		003402	003402	003402	003402	003402	003402	003402
21	Rotor & Brg	1		005205	005205	005205	005205	019225	019225	019225
22	• Bearing, Radial	1		001013	001013	001013	001013	010069	010069	010069
23	• Seal, Mtr Hsg	1		001014	001014	001014	001014	001014	001014	001014
24	• Oil, Dielectric	1		003168	003168	003168	003168	011066	011066	011066
25	Adapter-Mach	1		001003	001003	001003	001003	001003	001003	001003
26	• Seal, Shaft	1		002430	002430	002430	002430	002430	002430	002430
27	Flange Pkg 2" Npt	1		217024	217024	217024	217024	217024	217024	217024
	Flange Pkg 3" Npt		317024	317024	317024	217024	217024	217024	217024	
28	Impeller "294" Bronze	1		004096	004096	014862	014862	014862	014862	014862
	Impeller "294" Cast iron		NA	NA	NA	NA	NA	NA	154001	
29	Housing,Pump-Mach	1		001005	001005	001005	001005	001005	001005	001005
30	• Screw, #10-24 X.375 RHM-SI SS	2		001883	001883	001883	001883	001883	001883	001883
31	• Screw, #6-32x.25RHM SI Tc Stlgr	5		001877	001877	001877	001877	001877	001877	001877
32	• Screw, .25-20 X .75 HHm-SS	4		001916	001916	001916	001916	001916	001916	001916
33	• Screw, #6-32x.438 Rhstlp Stlzi	2		004644	004644	004644	004644	004644	004644	004644
34	• Screw, -5-13 X 2 HH Cap-SS	2		001909	001909	001909	001909	001909	001909	001909
35	• Washer, SS-1.25"Odx.562"ldx.078	2		002115	002115	002115	002115	002115	002115	002115
36	• Screw, .313-18 X 1" HH Cap-SS	4		002608	002608	002608	002608	002608	002608	002608
37	• Screw, .25-20x1" HHm-SS	4		007790	007790	007790	007790	007790	007790	007790
□	Rebuild Kit			016103	016103	016103	016103	019647	019647	019647

• Items included in Rebuild Kit.

□ Not shown in illustration.

NOTES:

- 1) Mtr. Hsg., Brg., Stator & Term. (Item 13) is preassembled at the factory and must be replaced as a unit. Stator is permanently attached to the Motor Housing. Plug (Item 19); Seal, Thru Wall Term. (Item 20) and Bearing - Upper (Item 14) are replaceable.
- 2) Relay "W1" and "W2" Series is not in pump but is in the high level control. See FM0456 "W1" Parts List or FM0457 "W2" Parts List for relay part number.
- 3) If an "X" follows Model No., or Date Mfg. on brass ID tag, consult factory for ordering of this part.
- 4) When ordering these parts, customer must identify if switch is a General Electric switch.
- 5) See FM0160 Parts Price Sheet for listing of parts prices.
- 6) "NA" indicates, not applicable.

REPLACEMENT PARTS LIST FOR MODELS "I294"

See page 7 for "I294" illustration.

REF. NO.	DESCRIPTION	QTY	NOTES	MODELS: I294-A					
				I294-A	I294-B	I294-C	I294-D	I294-E	I294-F
				1/88 MU thru 7/90	8/90 thru 10/01	11/01 thru 4/03	5/03 thru 5/08	6/08 thru 5/16	6/16 thru Current
1	Handle	1		217069	217069	217069	217069	217069	217069
2	Cover & Cord	1	2	013883	005129	005129	014159	014159	014159
3	Cover-Mach	1	2	001077	004372	004372	014150	014150	014150
4	• Gasket, Case/Cover	1		001011	001011	001011	001011	001011	001011
5	• Wire Pkg (5) Wires	1		004751	004751	004751	004751	004751	004751
6	Capacitor & Clamp Asm	1		006135	006135	006135	006135	006135	006135
7	Housing, Mtr-& Str	1	1	005204	005204	005204	005204	019234	019234
8	Bearing, Sleeve	1		001012	001012	001012	001012	NA	NA
	Bearing, Radial			NA	NA	NA	NA	006703	006703
9	Cord Term & Seal Asm	1	2	005391	005130	005130	014173	014173	014173
10	Clamp, Strain Relief	1	2	001770	NA	NA	013764	013764	013764
11	• Seal, Cord-Asm & Strain Relief	1	2	011626	004375	004375	015634	015634	015634
12	• Plug, Test-White	2		034090	034090	034090	034090	034090	034090
13	• Seal, Thru Wall Term	3		003402	003402	003402	003402	003402	003402
14	Rotor & Brg	1		004994	004994	004994	004994	019225	019225
15	• Bearing, Radial	1		001013	001013	001013	001013	010069	010069
16	• Seal, Mtr Hsg	1		001014	001014	001014	001014	001014	001014
17	• Oil, Dielectric	1		003168	003168	003168	003168	011066	011066
18	Adapter-Mach	1		001003	001003	001003	001003	001003	001003
19	• Seal, Shaft	1		002430	002430	002430	002430	002430	002430
20	Flange Pkg 2" Npt	1		217024	217024	217024	217024	217024	217024
	Flange Pkg 3" Npt			317024	317024	317024	317024	317024	317024
21	Impeller "294" Bronze	1		004096	004096	014862	014862	014862	014862
	Impeller "294" Cast iron			NA	NA	NA	NA	NA	154001
22	Housing, Pump-Mach	1		001005	001005	001005	001005	001005	001005
23	• Screw, #6-32x.25RHM SI Tc Stlgr	3		001877	001877	001877	001877	001877	001877
24	• Screw, #10-24 X.375 RHM-SI SS	2		001883	001883	001883	001883	001883	001883
25	• Screw, .25-20 X .75 HHm-SS	4		001916	001916	001916	001916	001916	001916
26	• Screw, .5-13 X 2 HH Cap-SS	2		001909	001909	001909	001909	001909	001909
27	• Washer, SS-1.25"Odx.562"ldx.078	2		002115	002115	002115	002115	002115	002115
28	• Screw, .313-18 X 1"HH Cap-SS	4		002608	002608	002608	002608	002608	002608
29	• Screw, .25-20X1" HHM-SS	4		007790	007790	007790	007790	007790	007790
▣	Rebuild Kit			014193	014193	014193	014193	019648	019648

• Items included in Rebuild Kit.

▣ Not shown in illustration.

NOTES:

- 1) Mtr. Hsg., Brg., Stator & Term. (Item 7) is preassembled at the factory and must be replaced as a unit. Stator is permanently attached to the Motor Housing. Plug (Item 12); Seal, Thru Wall Term. (Item 13) and Bearing - Upper (Item 8) are replaceable.
- 2) If an "X" follows Model No., or Date Mfg. on brass ID tag, consult factory for ordering of this part.
- 3) See FM0160 Parts Price Sheet for listing of parts prices.
- 4) "NA" indicates, not applicable.

REPLACEMENT PARTS LIST FOR MODELS "J294"

See back page for "J294" illustration.

REF. NO.	DESCRIPTION	QTY	NOTES	MODELS: J294-A						
				J294-A	J294-B	J294-C	J294-D	J294-E	J294-F	J294-G
				9/86 VS thru 5/87 RT	6/87 ST thru 7/90	8/90 thru 10/01	11/01 thru 04/03	5/03 thru 5/08	6/08 thru 5/16	6/16 thru Current
1	Handle	1		217069	217069	217069	217069	217069	217069	217069
2	Cover & Cord	1	2	002963	002963	011641	011641	014161	014161	014161
3	Cover-Mach	1	2	001077	001077	004372	004372	014150	014150	014150
4	• Gasket, Case/Cover	1		001011	001011	001011	001011	001011	001011	001011
5	Housing, Mtr- & Str	1	1	004953	004953	004953	004953	004953	019235	019235
6	Bearing, Sleeve	1		001012	001012	001012	001012	001012	NA	NA
	Bearing, Radial			NA	NA	NA	NA	NA	006703	006703
7	Clamp, Strain Relief	1	2	001770	001770	NA	NA	013764	013764	013764
8	Cord Term & Seal Asm	1	2	005131	005131	011640	011640	014177	014177	014177
9	• Seal, Cord-Asm & Strain Relief	1	2	011656	011656	004375	004375	015634	015634	015634
10	• Plug, Test-White	2		034090	034090	034090	034090	034090	034090	034090
11	• Seal, Thru Wall Term	3		003402	003402	003402	003402	003402	003402	003402
12	Rotor & Brg	1		005133	005133	005133	005133	005133	019226	019226
13	• Bearing, Radial	1		001013	001013	001013	001013	001013	010069	010069
14	• Seal, Mtr Hsg	1		001014	001014	001014	001014	001014	001014	001014
15	• Oil, Dielectric	1		003168	003168	003168	003168	003168	011066	011066
16	Adapter-Mach	1		001003	001003	001003	001003	001003	001003	001003
17	• Seal, Shaft	1		002430	002430	002430	002430	002430	002430	002430
18	Impeller Asm "294" Bronze	1		005219	005219	005219	014863	014863	014863	014863
	Impeller Asm "294" Cast iron			NA	NA	NA	NA	NA	NA	154002
19	Flange Pkg 2" Npt	1		217024	217024	217024	217024	217024	217024	217024
	Flange Pkg 3" Npt			317024	317024	317024	317024	317024	317024	317024
20	Housing, Pump-Mach	1		001005	001005	001005	001005	001005	001005	001005
21	• Screw, #6-32x.25RHM SI Tc Stlgr	3		001877	001877	001877	001877	001877	001877	001877
22	• Screw, .25-20 X .75 HHm-SS	4		001916	001916	001916	001916	001916	001916	001916
23	• Screw, .313-18 X 1"HH Cap-SS	4		002608	002608	002608	002608	002608	002608	002608
24	• Screw, .5-13 X 2 HH Cap-SS	2		001909	001909	001909	001909	001909	001909	001909
25	• Washer, SS-1.25"Odx.562"ldx.078	2		002115	002115	002115	002115	002115	002115	002115
26	• Screw, #10-24 X.375 RHM-SI SS	2		001883	001883	001883	001883	001883	001883	001883
27	• Screw, .25-20X1" HHM-SS	4		007790	007790	007790	007790	007790	007790	007790
28	Nut, 7/16-20 Acorn SS	1		004351	004351	004351	004351	004351	004351	004351
▣	Rebuild Kit	1		014193	014193	014193	014193	014193	019648	019648

• Items included in Rebuild Kit.

▣ Not shown in illustration.

NOTES:

- 1) Mtr. Hsg., Brg., Stator & Term. (Item 7) is preassembled at the factory and must be replaced as a unit. Stator is permanently attached to the Motor Housing. Plug (Item 12); Seal, Thru Wall Term. (Item 13) and Bearing - Upper (Item 8) are replaceable.
- 2) If an "X" follows Model No., or Date Mfg. on brass ID tag, consult factory for ordering of this part.
- 3) See FM0160 Parts Price Sheet for listing of parts prices.
- 4) "NA" indicates, not applicable.

REPLACEMENT PARTS LIST FOR MODELS "F294"

See back page for "F294" illustration.

REF. NO.	DESCRIPTION	QTY	NOTES	MODELS: F294-A				
				F294-B	F294-C	F294-D	F294-E	
				6/87 ST thru 7/90	8/90 thru 10/01	11/01 thru 5/08	6/08 thru 5/16	6/16 thru Current
1	Handle	1		217069	217069	217069	217069	217069
2	Cover & Cord	1	2	002963	002963	002963	002963	002963
3	Cover-Mach	1	2	001077	001077	001077	001077	001077
4	• Gasket, Case/Cover	1		001011	001011	001011	001011	001011
5	Housing, Mtr- & Str	1	1	005136	005136	005136	019236	019236
6	Bearing, Sleeve	1		001012	001012	001012	NA	NA
	Bearing, Radial			NA	NA	NA	006703	006703
7	Clamp, Strain Relief	1	2	001770	001770	001770	001770	001770
8	Cord Term & Seal Asm	1	2	005131	005131	005131	005131	005131
9	• Seal, Cord-Asm & Strain Relief	1	2	011656	011656	011656	011656	011656
10	• Plug, Test-White	2		034090	034090	034090	034090	034090
11	• Seal, Thru Wall Term	3		003402	003402	003402	003402	003402
12	Rotor & Brg	1		005133	005133	005133	019226	019226
13	• Bearing, Radial	1		001013	001013	001013	010069	010069
14	• Seal, Mtr Hsg	1		001014	001014	001014	001014	001014
15	• Oil, Dielectric	1		003168	003168	003168	011066	011066
16	Adapter-Mach	1		001003	001003	001003	001003	001003
17	• Seal, Shaft	1		002430	002430	002430	002430	002430
18	Impeller Asm "294" Bronze	1		005219	005219	014863	014863	014863
	Impeller Asm "294" Bronze			NA	NA	NA	NA	154002
19	Flange Pkg 2" Npt	1		217024	217024	217024	217024	217024
	Flange Pkg 3" Npt			317024	317024	317024	317024	317024
20	Housing, Pump-Mach	1		001005	001005	001005	001005	001005
21	• Screw, #6-32x.25RHM SI Tc Stgr	1		001877	001877	001877	001877	001877
22	• Screw, .25-20 X .75 HHm-SS	4		001916	001916	001916	001916	001916
23	• Screw, .313-18 X 1"HH Cap-SS	4		002608	002608	002608	002608	002608
24	• Screw, .5-13 X 2 HH Cap-SS	2		001909	001909	001909	001909	001909
25	• Washer, SS-1.25"Odx.562"ldx.078	2		002115	002115	002115	002115	002115
26	• Screw, #10-24 X.375 RHM-SI SS	1		001883	001883	001883	001883	001883
27	• Screw, .25-20X1" HHM-SS	4		007790	007790	007790	007790	007790
28	Nut, 7/16-20 Acorn SS	1		004351	004351	004351	004351	004351
▣	Rebuild Kit			014193	014193	014193	019648	019648

• Items included in Rebuild Kit.

▣ Not shown in illustration.

NOTES:

- 1) Mtr. Hsg., Brg., Stator & Term. (Item 7) is preassembled at the factory and must be replaced as a unit. Stator is permanently attached to the Motor Housing. Plug (Item 12); Seal, Thru Wall Term. (Item 13) and Bearing - Upper (Item 8) are replaceable.
- 2) If an "X" follows Model No., or Date Mfg. on brass ID tag, consult factory for ordering of this part.
- 3) See FM0160 Parts Price Sheet for listing of parts prices.
- 4) "NA" indicates, not applicable.

REPLACEMENT PARTS LIST FOR MODELS “G294” & “BA294”

See back page for “G294” & “BA294” illustrations.

REF. NO.	DESCRIPTION	QTY	NOTES	MODELS: G294-A					BA294-A			
				6/87 ST thru 7/90	8/90 thru 10/01	11/01 thru 5/08	6/08 thru 5/16	6/16 thru Current	1/91 thru 10/01	11/01 thru 5/08	6/08 thru 5/16	6/16 thru Current
1	Handle	1		217069	217069	217069	217069	217069	217069	217069	217069	217069
2	Cover & Cord	1	2	002963	002963	002963	002963	002963	002963	002963	002963	002963
3	Cover-Mach	1	2	001077	001077	001077	001077	001077	001077	001077	001077	001077
4	• Gasket, Case/Cover	1		001011	001011	001011	001011	001011	001011	001011	001011	001011
5	Housing, Mtr-& Str	1	1	004578	004578	004578	019237	019237	006288	006288	019238	019238
6	Bearing, Sleeve	1		001012	001012	001012	NA	NA	001012	001012	NA	NA
	Bearing, Radial			NA	NA	NA	006703	006703	NA	NA	006703	006703
7	Clamp, Strain Relief	1	2	001770	001770	001770	001770	001770	001770	001770	001770	001770
8	Cord Term & Seal Asm	1	2	005131	005131	005131	005131	005131	005131	005131	005131	005131
9	• Seal, Cord-Asm & Strain Relief	1	2	011656	011656	011656	011656	011656	011656	011656	011656	011656
10	• Plug, Test-White	2		034090	034090	034090	034090	034090	034090	034090	034090	034090
11	• Seal, Thru Wall Term	3		003402	003402	003402	003402	003402	003402	003402	003402	003402
12	Rotor & Brg	1		005133	005133	005133	019226	019226	005133	005133	019226	019226
13	• Bearing, Radial	1		001013	001013	001013	010069	010069	001013	001013	010069	010069
14	• Seal, Mtr Hsg	1		001014	001014	001014	001014	001014	001014	001014	001014	001014
15	• Oil, Dielectric	1		003168	003168	003168	011066	011066	003168	003168	011066	011066
16	Adapter-Mach	1		001003	001003	001003	001003	001003	001003	001003	001003	001003
17	• Seal, Shaft	1		002430	002430	002430	002430	002430	002430	002430	002430	002430
18	Impeller Asm “294” Bronze	1		005219	005219	014863	014863	014863	005219	014863	014863	014863
	Impeller Asm “294” Cast iron			NA	NA	NA	NA	154002	NA	NA	NA	154002
19	Flange Pkg 2” Npt	1		217024	217024	217024	217024	217024	217024	217024	217024	217024
	Flange Pkg 3” Npt			317024	317024	317024	317024	317024	317024	317024	317024	317024
20	Housing, Pump-Mach	1		001005	001005	001005	001005	001005	001005	001005	001005	001005
21	• Screw, #6-32x.25RHM SI Tc Stlgr	1		001877	001877	001877	001877	001877	001877	001877	001877	001877
22	• Screw, .25-20 X .75 HHm-SS	4		001916	001916	001916	001916	001916	001916	001916	001916	001916
23	• Screw, .313-18 X 1”HH Cap-SS	4		002608	002608	002608	002608	002608	002608	002608	002608	002608
24	• Screw, .5-13 X 2 HH Cap-SS	2		001909	001909	001909	001909	001909	001909	001909	001909	001909
25	• Washer, SS-1.25”Odx.562”ldx.078	2		002115	002115	002115	002115	002115	002115	002115	002115	002115
26	• Screw, #10-24 X.375 RHM-SI SS	1		001883	001883	001883	001883	001883	001883	001883	001883	001883
27	• Screw, .25-20X1” HHM-SS	4		007790	007790	007790	007790	007790	007790	007790	007790	007790
28	Nut, 7/16-20 Acorn SS	1		004351	004351	004351	004351	004351	004351	004351	004351	004351
▫	Rebuild Kit			014193	014193	014193	019648	019648	014193	014193	019648	019648

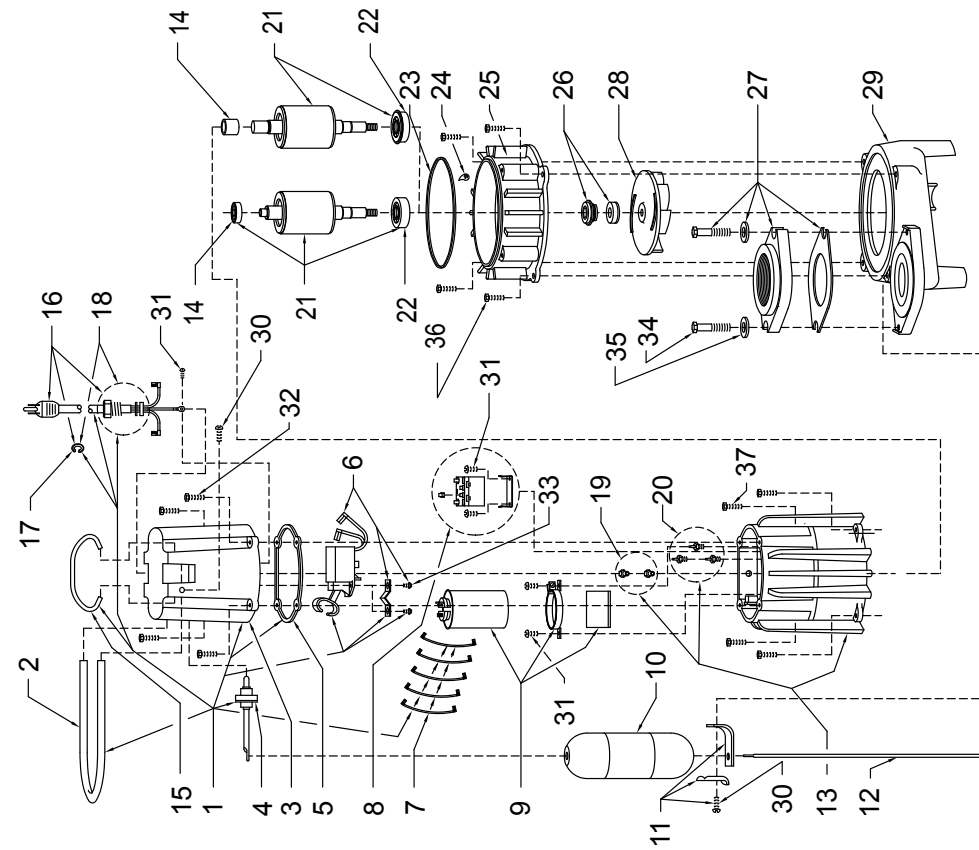
• Items included in Rebuild Kit.

▫ Not shown in illustration.

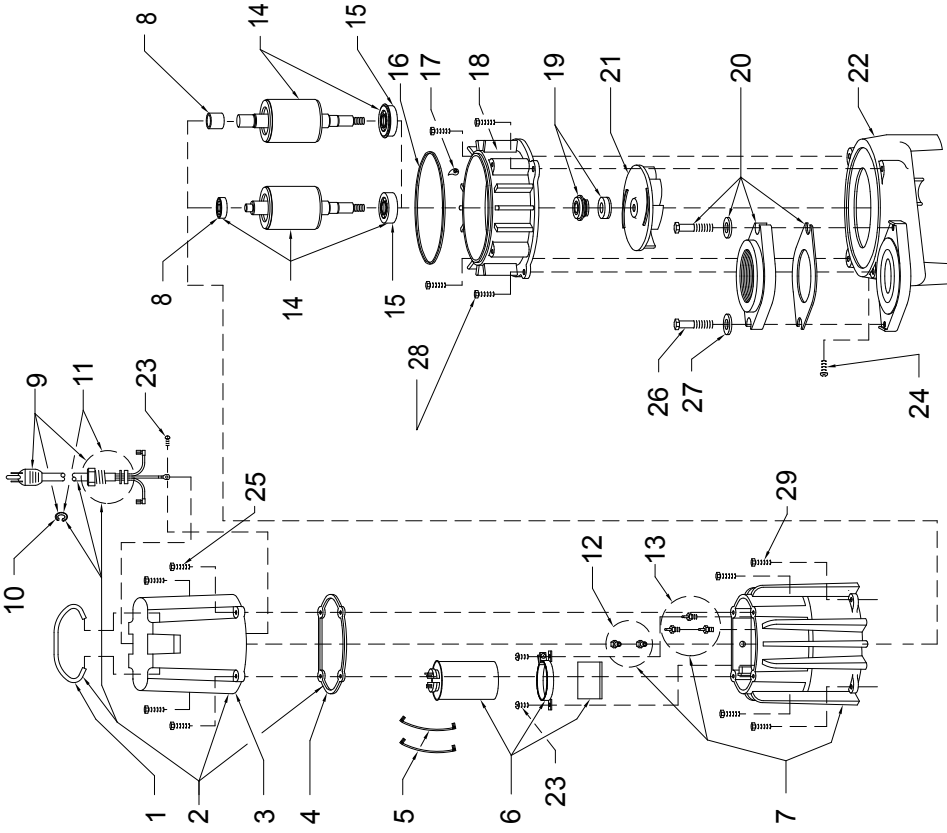
NOTES:

- 1) Mtr. Hsg., Brg., Stator & Term. (Item 7) is preassembled at the factory and must be replaced as a unit. Stator is permanently attached to the Motor Housing. Plug (Item 12); Seal, Thru Wall Term. (Item 13) and Bearing - Upper (Item 8) are replaceable.
- 2) If an “X” follows Model No., or Date Mfg. on brass ID tag, consult factory for ordering of this part.
- 3) See FM0160 Parts Price Sheet for listing of parts prices.
- 4) “NA” indicates, not applicable.

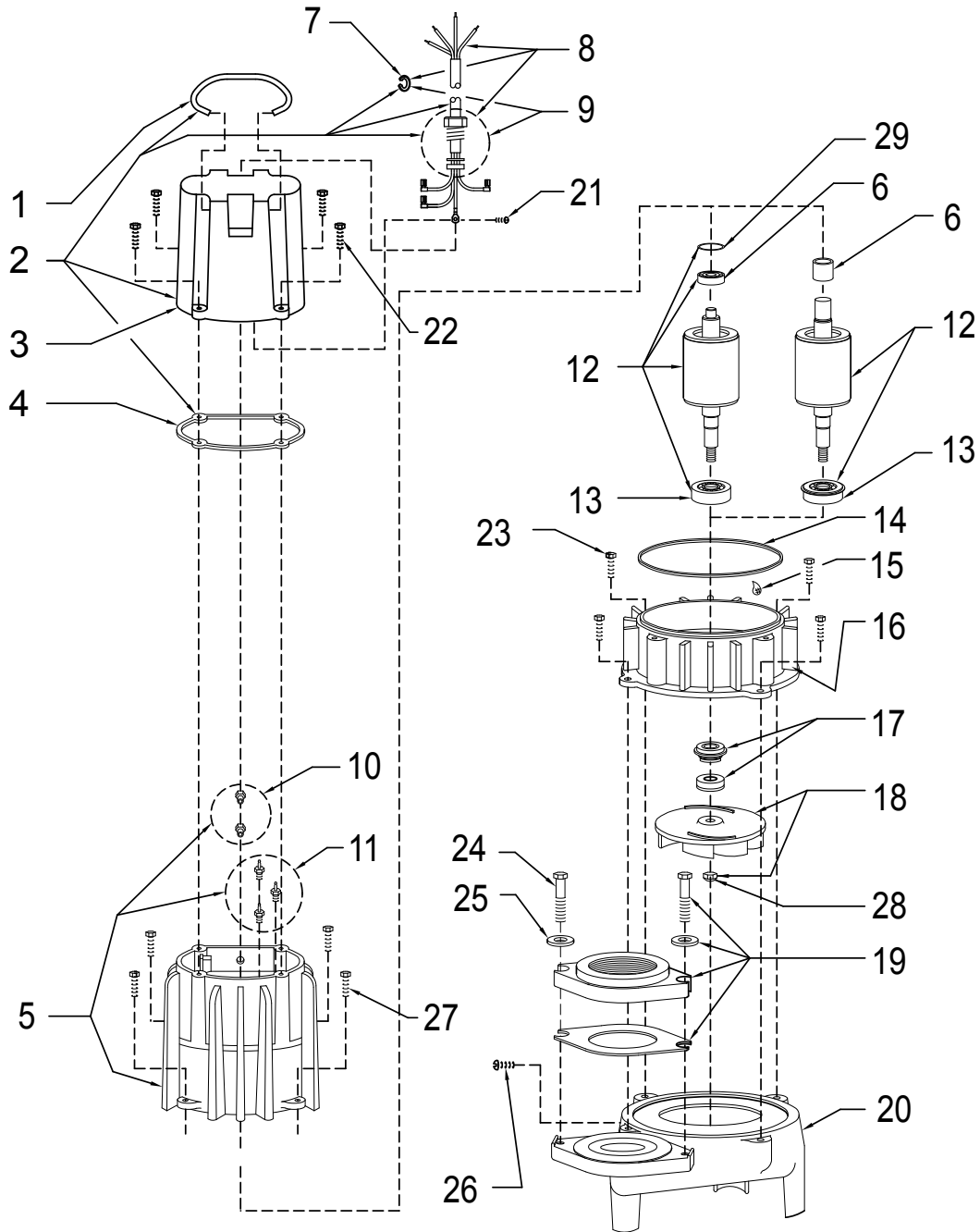
REPLACEMENT PARTS ILLUSTRATION FOR MODEL "H294"



REPLACEMENT PARTS ILLUSTRATION FOR MODEL "I294"



REPLACEMENT PARTS ILLUSTRATION FOR MODELS "J", "F", "G" & "BA294"



SK1285



MAIL TO: P.O. BOX 16347 • Louisville, KY 40256-0347
SHIP TO: 3649 Cane Run Road • Louisville, KY 40211-1961
(502) 778-2731 • 1 (800) 928-PUMP • FAX (502) 774-3624

Visit our web site:
zoellerpumps.com

Trusted. Tested. Tough.™